

System: Spacesaver LS Mechanical Assist.

Rail System: Low Profile Rail c/w 3/4" plywood subfloor & ramp.

Shelving:
 Spacesaver 4 Post
 Std Size File Box's
 U-1
 76" H x 16" D c/w dust cover & 6 shelf openings.
 Each shelf will be slotted for optional adjustable file dividers.

Each shelf will be on 12" center's.
 Each Shelf will have a center stop.

Oversized Box's
 U-3
 Back to Back
 76"H x 18" x 18"D c/w dust cover & 10 shelf openings.

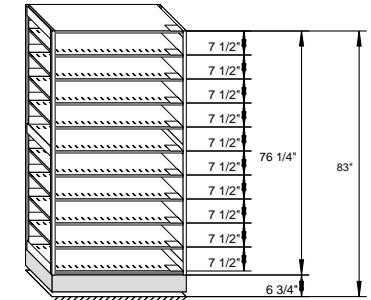
Each shelf will be on 7.5" centers.

All angle uprights will be the closed type.
 All tee uprights will be the open type.

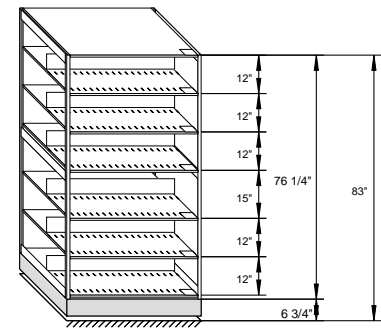
Finishes:
 Carriages: All Std colours.
 Shelving: All Std colours.
 End panels: LPLF Group 1 & 2
 Subfloor: Unfinished.

Storage Capacity: 1,610 Linear Feet or
 Std size file box's: 1.080
 Over sized box's: 600

Total System Height: 83" H



U 1



U 3-F

- Oversized Box's
- Std Size File Box's

Closed Uprights.

Spacesaver®
 Spacesaver Systems Maritime
 2 Bluewater Road Suite 238
 Bedford, NS
 B4B 1G7
 PH: 902 468 1020 FAX: 902 468 8881
 www.spacesaver.com

Drawing Number:	Revision: F	Equipment Weight: 12060.28 LBS
Saved Date: 04/06/2011	Drawn By: Blair King	Media Weight: 42800.00 LBS
Scale: 1:60	Sheet: 1 of 1	System Weight: 54860.28 LBS
Salesperson: Blair King	Total System Capacity: 18400 LFI	

Project Name:
Anglican Diocesan Center

Copyright © 2011 Spacesaver Systems Maritime. This material is proprietary and confidential, and the disclosure reproduction by photography, film, blueprint or otherwise or incorporation into any information retrieval system without first receiving written approval from Spacesaver Systems Maritime is expressly prohibited by law.